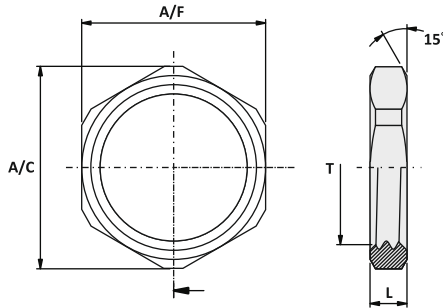


### Lock Nut

Lock Nut is generally used to secure a cable gland, reducer, and adaptor in position at the equipment and enclosure.

Lock Nuts are widely used in electrical installation due to low corrosion effect.

**Material** : Brass Nickle Plated, Brass, Steel



### METRIC LOCK NUT

Brass Code	Nickel Plated Brass Code	Steel Code	Size	A/F	A/C	L	T
SMCLNM-6	SMCLNM-6 Ni	SMCLNM-6 SS	M6	9.00	-	2.80	M6×1.0
SMCLNM-8	SMCLNM-8 Ni	SMCLNM-8 SS	M8	11.00	-	2.80	M8×1.25
SMCLNM-10	SMCLNM-10 Ni	SMCLNM-10 SS	M10	13.00	-	2.80	M10×1.5
SMCLNM-12	SMCLNM-12 Ni	SMCLNM-12 SS	M12	15.00	-	3.00	M12×1.5
SMCLNM-16	SMCLNM-16 Ni	SMCLNM-16 SS	M16	20.00	22.00	2.50	M16×1.5
SMCLNM-20	SMCLNM-20 Ni	SMCLNM-20 SS	M20	24.00	26.20	3.50	M20×1.5
SMCLNM-25	SMCLNM-25 Ni	SMCLNM-25 SS	M25	29.00	31.00	3.50	M25×1.5
SMCLNM-32	SMCLNM-32 Ni	SMCLNM-32 SS	M32	36.00	39.20	3.50	M32×1.5
SMCLNM-40	SMCLNM-40 Ni	SMCLNM-40 SS	M40	45.00	50.00	4.00	M40×1.5
SMCLNM-50	SMCLNM-50 Ni	SMCLNM-50 SS	M50	55.00	60.00	4.25	M50×1.5
SMCLNM-63	SMCLNM-63 Ni	SMCLNM-63 SS	M63	68.00	73.00	4.75	M63×1.5
SMCLNM-75	SMCLNM-75 Ni	SMCLNM-75 SS	M75	81.00	88.00	4.75	M75×1.5
SMCLNM-82	SMCLNM-82 Ni	SMCLNM-82 SS	M82	90.00	98.00	6.00	M82×1.5
SMCLNM-90	SMCLNM-90 Ni	SMCLNM-90 SS	M90	98.00	108.00	6.00	M90×2.0
SMCLNM-100	SMCLNM-100 Ni	SMCLNM-100 SS	M100	115.00	129.00	8.00	M100×2.0
SMCLNM-110	SMCLNM-110 Ni	SMCLNM-110 SS	M110	122.00	135.00	7.50	M110×2.0
SMCLNM-115	SMCLNM-115 Ni	SMCLNM-115 SS	M115	130.00	145.00	8.00	M115×2.0
SMCLNM-125	SMCLNM-125 Ni	SMCLNM-125 SS	M125	138.00	149.00	7.50	M125×2.0
SMCLNM-130	SMCLNM-130 Ni	SMCLNM-130 SS	M130	145.00	165.00	8.00	M130×2.0

### NPT LOCK NUT

Brass Code	Nickel Plated Brass Code	Steel Code	Size	A/F	A/C	L	T
SMCLNN-12	SMCLNN-12 Ni	SMCLNN-12 SS	½"	24.00	26.20	4.25	½" NPS
SMCLNN-34	SMCLNN-34 Ni	SMCLNN-34 SS	¾"	30.50	33.00	4.25	¾" NPS
SMCLNN-1	SMCLNN-1 Ni	SMCLNN-1 SS	1"	37.00	41.00	4.50	1" NPS
SMCLNN-114	SMCLNN-114 Ni	SMCLNN-114 SS	1¼"	47.50	51.50	4.50	1¼" NPS
SMCLNN-112	SMCLNN-112 Ni	SMCLNN-112 SS	1½"	52.50	58.00	4.75	1½" NPS
SMCLNN-2	SMCLNN-2 Ni	SMCLNN-2 SS	2"	65.00	70.00	4.75	2" NPS
SMCLNN-212	SMCLNN-212 Ni	SMCLNN-212 SS	2½"	80.00	88.00	8.00	2½" NPS
SMCLNN-3	SMCLNN-3 Ni	SMCLNN-3 SS	3"	95.00	100.00	8.00	3" NPS
SMCLNN-312	SMCLNN-312 Ni	SMCLNN-312 SS	3½"	110.00	120.00	9.50	3½" NPS
SMCLNN-4	SMCLNN-4 Ni	SMCLNN-4 SS	4"	122.00	135.00	9.50	4" NPS

CONTINUE...



**BSP LOCK NUT**

Brass Code	Nickel Plated Brass Code	Steel Code	Size	A/F	A/C	L	T
SMCLNG-12	SMCLNG-12 Ni	SMCLNG-12 SS	½"	23.00	25.25	2.75	½"G
SMCLNG-34	SMCLNG-34 Ni	SMCLNG-34 SS	¾"	29.00	31.00	3.25	¾"G
SMCLNG-1	SMCLNG-1 Ni	SMCLNG-1 SS	1"	36.00	39.20	3.50	1"G
SMCLNG-114	SMCLNG-114 Ni	SMCLNG-114 SS	1¼"	45.00	50.00	4.00	1¼"G
SMCLNG-112	SMCLNG-112 Ni	SMCLNG-112 SS	1½"	55.00	60.00	4.25	1½"G
SMCLNG-2	SMCLNG-2 Ni	SMCLNG-2 SS	2"	68.00	73.00	4.75	2"G
SMCLNG-212	SMCLNG-212 Ni	SMCLNG-212 SS	2½"	81.00	88.00	4.75	2½"G
SMCLNG-3	SMCLNG-3 Ni	SMCLNG-3 SS	3"	100.00	110.00	6.50	3"G
SMCLNG-312	SMCLNG-312 Ni	SMCLNG-312 SS	3½"	110.00	120.00	7.00	3½"G
SMCLNG-4	SMCLNG-4 Ni	SMCLNG-4 SS	4"	122.00	135.00	7.50	4"G

**ET LOCK NUT**

Brass Code	Nickel Plated Brass Code	Steel Code	Size	A/F	A/C	L	T
SMCLNE-58	SMCLNE-58 Ni	SMCLNE-58 SS	ET ⅝	20.00	22.00	3.50	ET ⅝
SMCLNE-34	SMCLNE-34 Ni	SMCLNE-34 SS	ET ¾	24.00	26.20	3.50	ET ¾
SMCLNE-1	SMCLNE-1 Ni	SMCLNE-1 SS	ET 1	30.00	33.00	3.50	ET 1
SMCLNE-114	SMCLNE-114 Ni	SMCLNE-114 SS	ET 1 ¼	35.00	40.00	4.00	ET 1¼
SMCLNE-112	SMCLNE-112 Ni	SMCLNE-112 SS	ET 1 ½	41.00	46.00	4.00	ET 1½
SMCLNE-2	SMCLNE-2 Ni	SMCLNE-2 SS	ET 2	55.00	60.00	4.00	ET 2
SMCLNE-212	SMCLNE-212 Ni	SMCLNE-212 SS	ET 2 ½	67.50	72.00	4.25	ET 2½
SMCLNE-3	SMCLNE-3 Ni	SMCLNE-3 SS	ET 3	85.00	90.00	4.50	ET 3
SMCLNE-312	SMCLNE-312 Ni	SMCLNE-312 SS	ET 3½"	95.00	100.00	5.00	ET 3½

**PG LOCK NUT**

Brass Code	Nickel Plated Brass Code	Steel Code	Size	A/F	A/C	L	T
SMCLNP-7	SMCLNP-7 Ni	SMCLNP-7 SS	PG 7	14.00	15.50	2.75	PG 7
SMCLNP-9	SMCLNP-9 Ni	SMCLNP-9 SS	PG 9	17.00	18.50	2.75	PG 9
SMCLNP-11	SMCLNP-11 Ni	SMCLNP-11 SS	PG 11	21.00	23.00	3.00	PG 11
SMCLNP-13	SMCLNP-13 Ni	SMCLNP-13 SS	PG 13.5	23.00	25.25	3.25	PG 13.5
SMCLNP-16	SMCLNP-16 Ni	SMCLNP-16 SS	PG 16	24.50	27.00	3.00	PG 16
SMCLNP-21	SMCLNP-21 Ni	SMCLNP-21 SS	PG 21	31.00	34.00	3.50	PG 21
SMCLNP-29	SMCLNP-29 Ni	SMCLNP-29 SS	PG 29	41.00	46.00	3.75	PG 29
SMCLNP-36	SMCLNP-36 Ni	SMCLNP-36 SS	PG 36	51.00	56.50	4.50	PG 36
SMCLNP-42	SMCLNP-42 Ni	SMCLNP-42 SS	PG 42	58.00	63.00	4.50	PG 42
SMCLNP-48	SMCLNP-48 Ni	SMCLNP-48 SS	PG 48	65.00	70.00	5.00	PG 48